



Infinity MCR-850/540

User's Guide

Europe / International

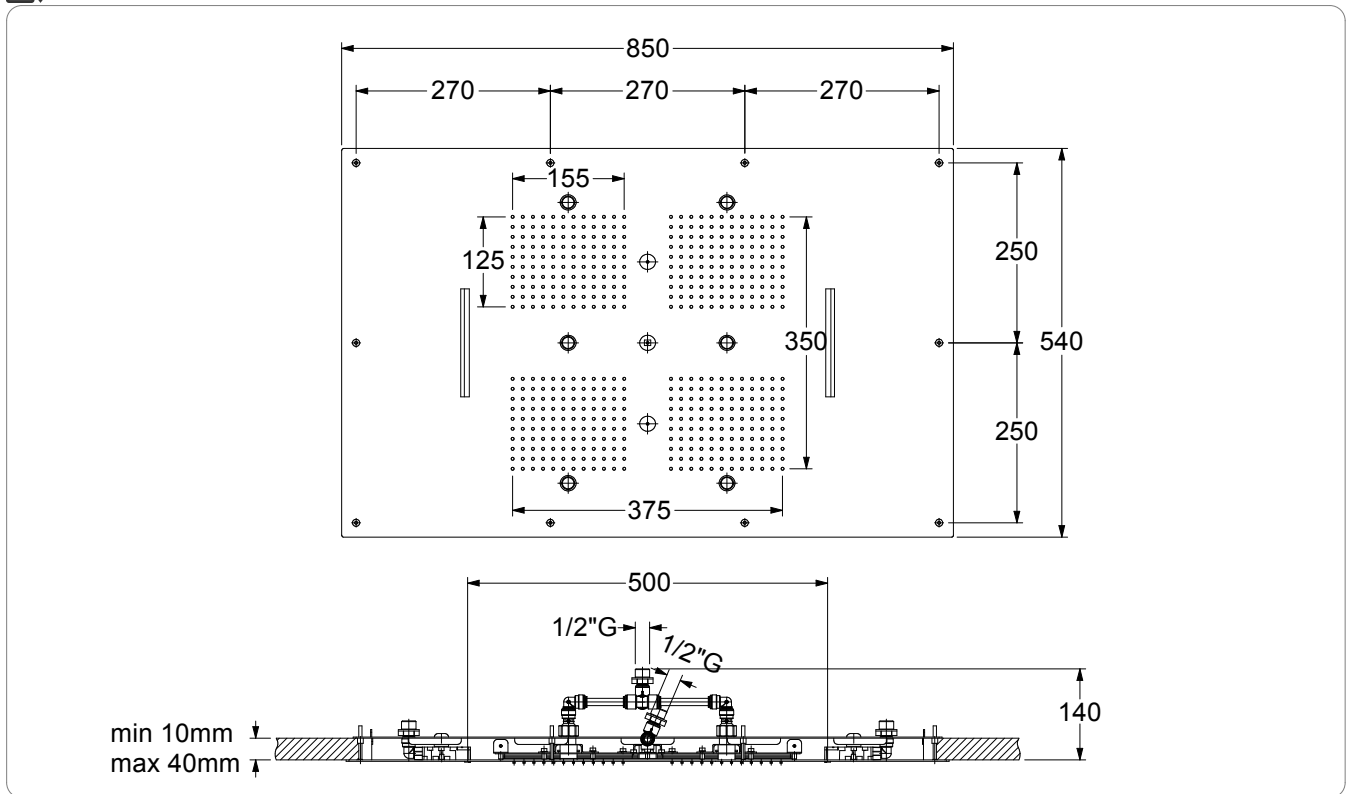
Installation and Care Manual

aquatica®

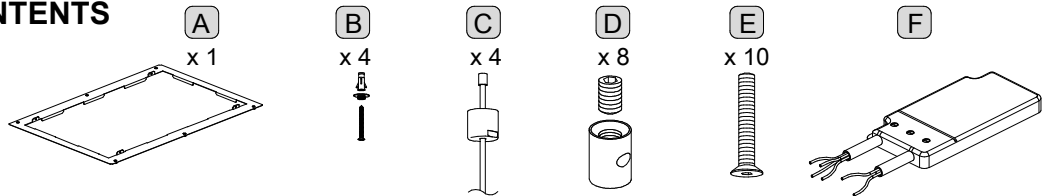
Infinity MRC-850/540

Built-In Shower Head

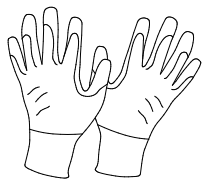
 MEASUREMENTS: mm



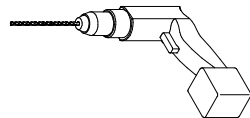
PACKAGE CONTENTS



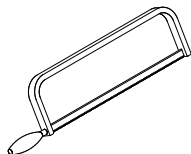
TOOLS NEEDED



Wear protective gloves



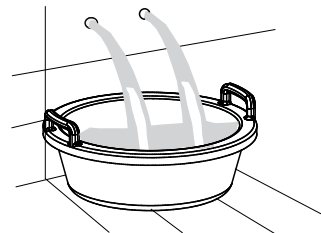
CH 18



3 mm
2 mm



IMPORTANT NOTE



- **WARNING!!!!**
All installation and maintenance operations require 2 QUALIFIED WORKER
- Installation to be performed by qualified personnel
- Before connecting to mains, bleed the pipes to avoid damage.

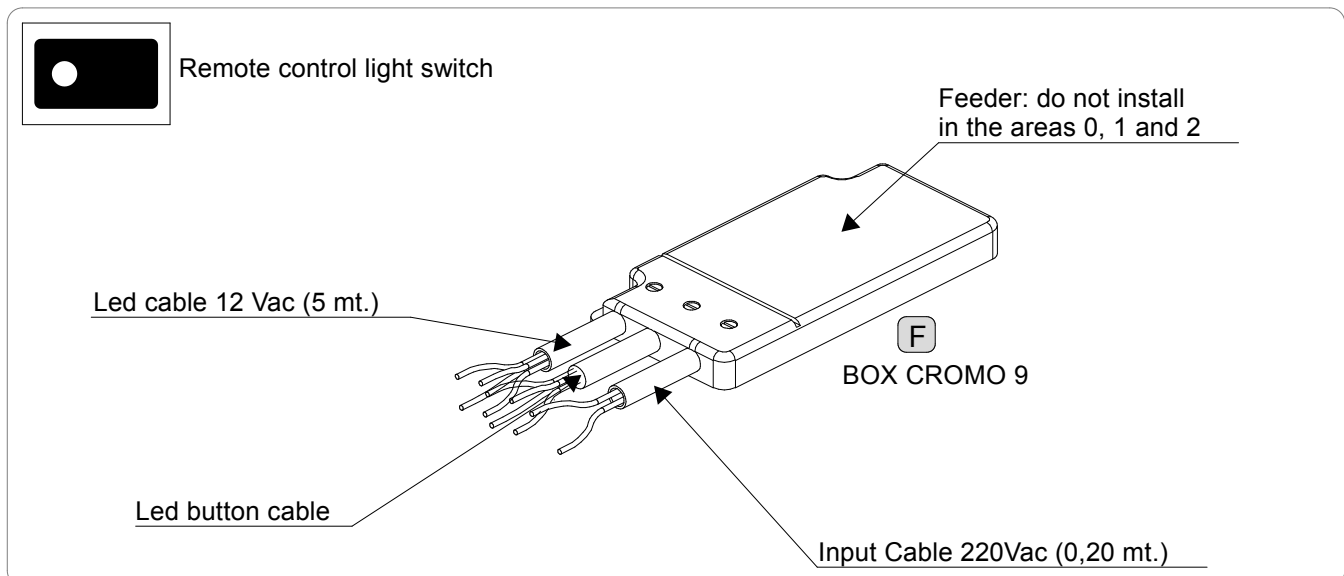
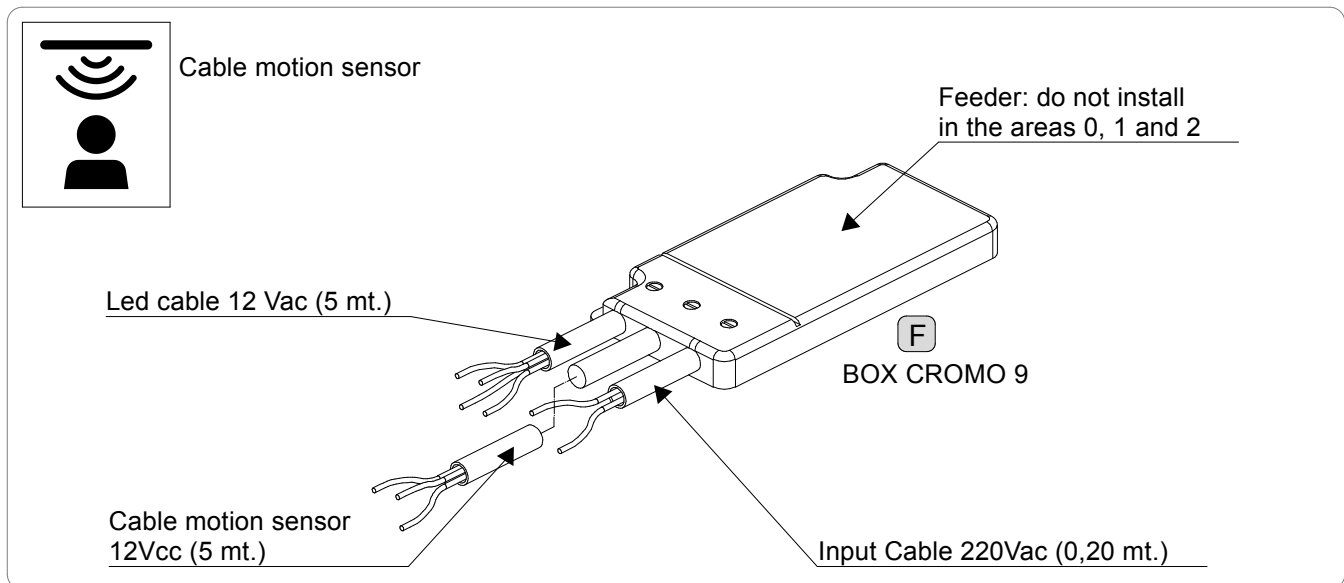
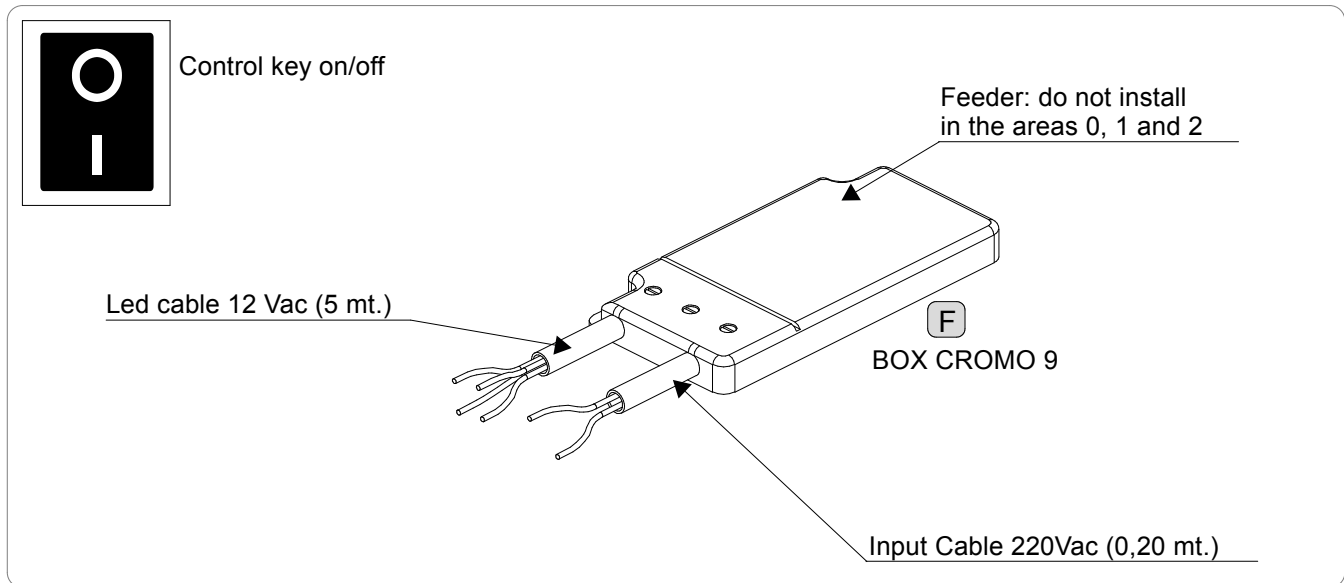
SPECIFICATIONS

Recommended operational pressure	2.5-4 bar
Maximum test pressure	5 bar
Maximum hot water temperature	65 °C
Recommended temperature	50-60 °C

Infinity MRC-850/540

Built-In Shower Head

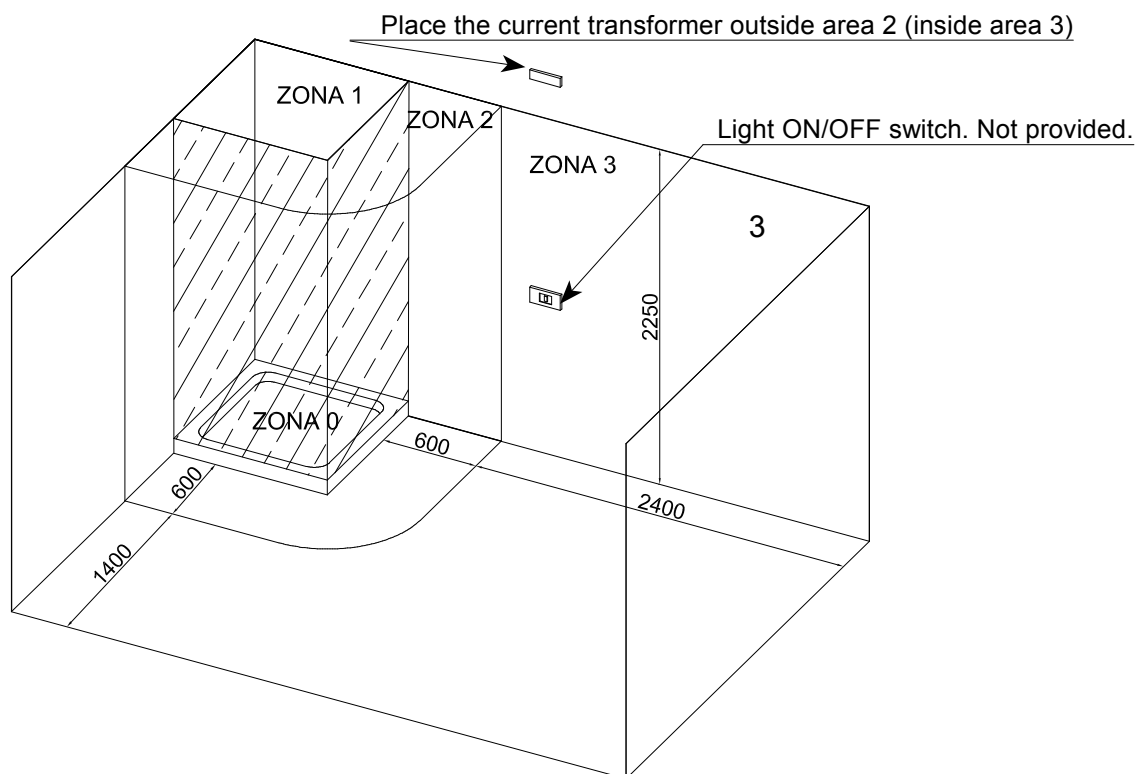
ELECTRICAL CONNECTION



Infinity MRC-850/540

Built-In Shower Head

WATER FEED

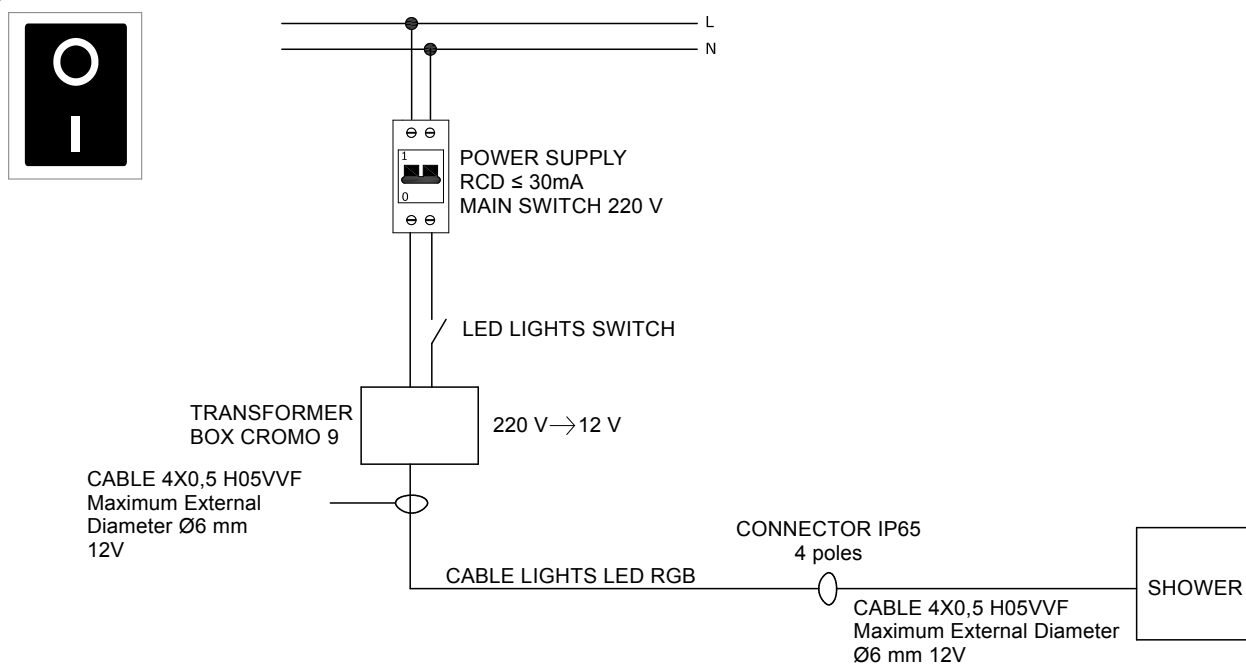


All false ceiling shower heads require installation of control key for switch on/off lights on transformer power supply.



ELECTRICAL CURRENT AT 220 V MUST NEVER BE PRESENT within areas 0 - 1 - and 2

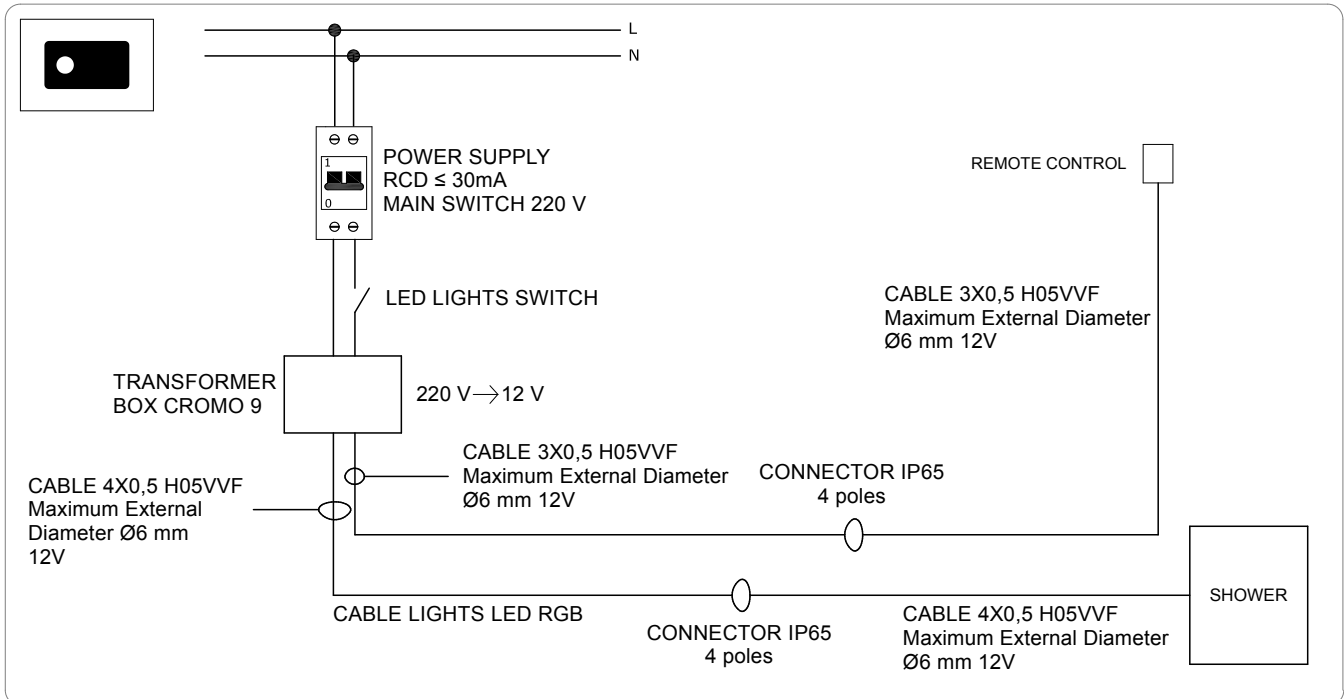
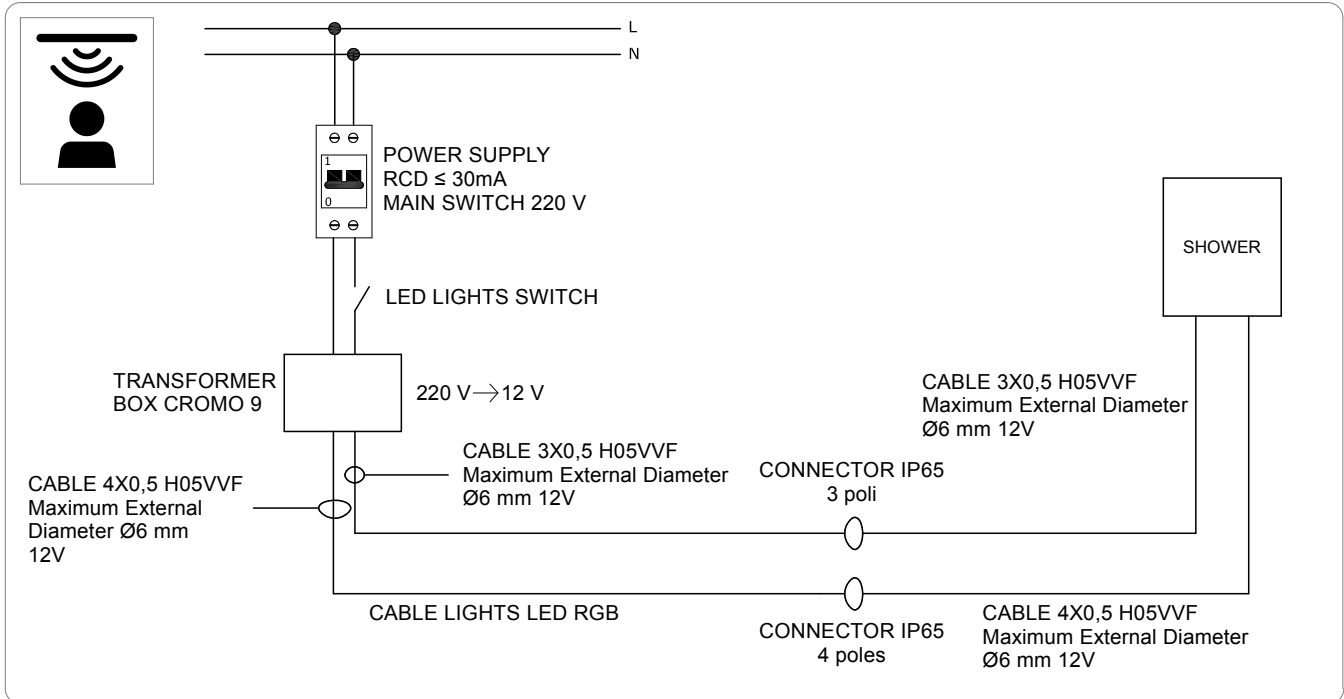
ELECTRICAL CONNECTION



Infinity MRC-850/540

Built-In Shower Head

ELECTRICAL CONNECTION



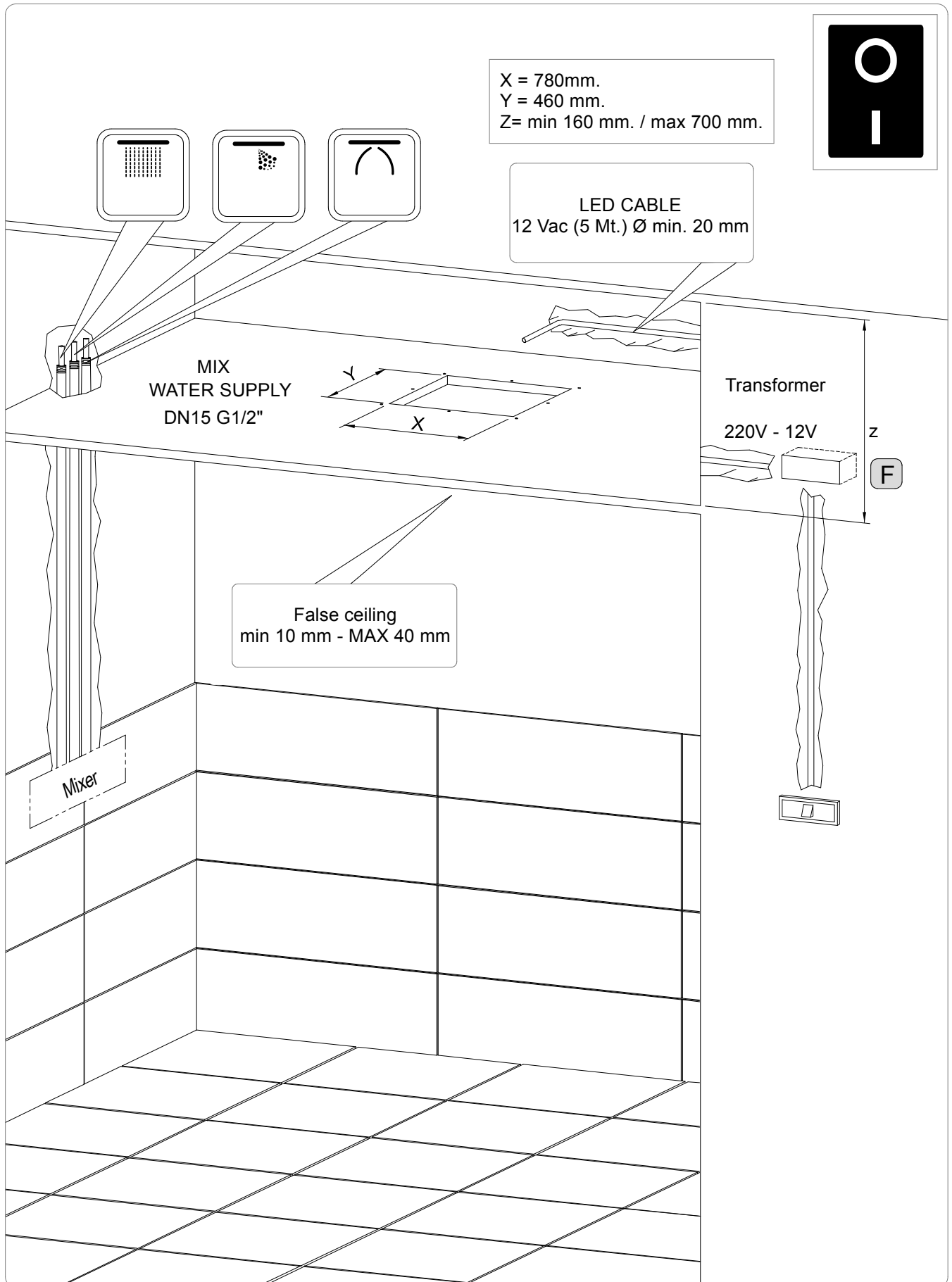
TECHNICAL SPECIFICATIONS

Voltage supply	12 Vcc ±3%
Maximum consumption	1,3-8,4 A
Ambient operating temperature	0 - +40 °C
Relative non-condensing humidity	5% - 90%

Infinity MRC-850/540

Built-In Shower Head

MONTAGE

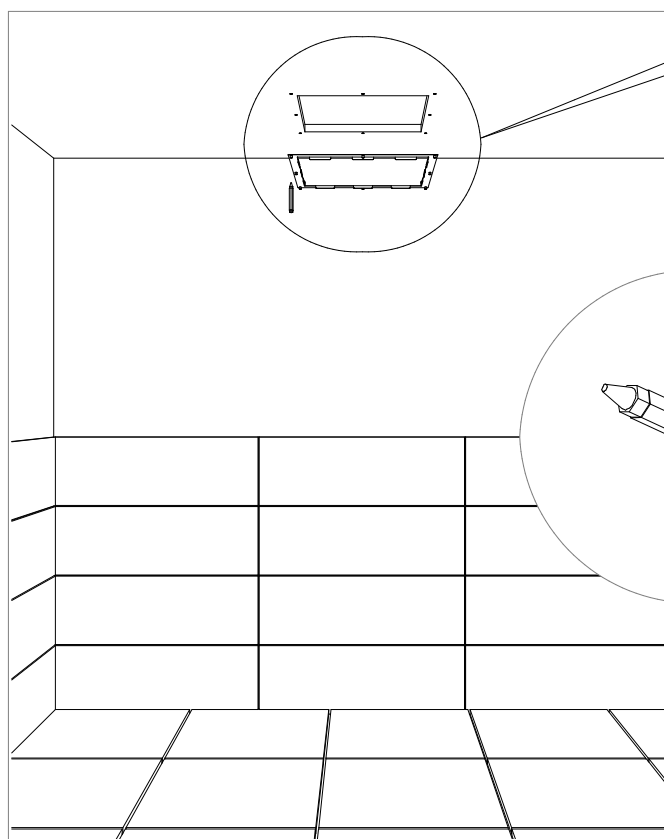
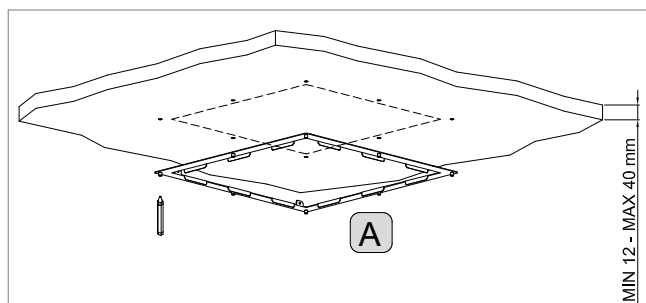


Infinity MRC-850/540

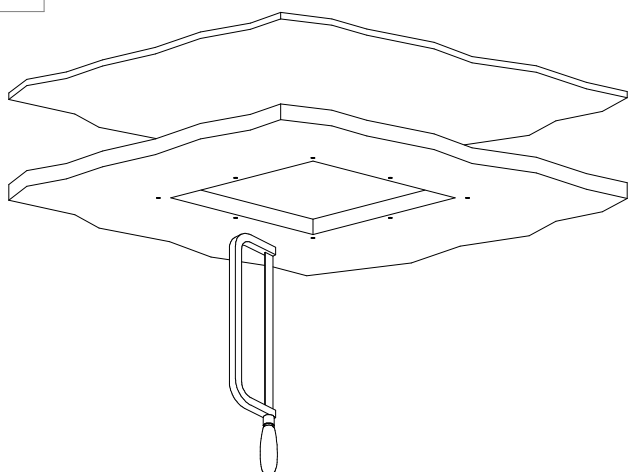
Built-In Shower Head

MONTAGE

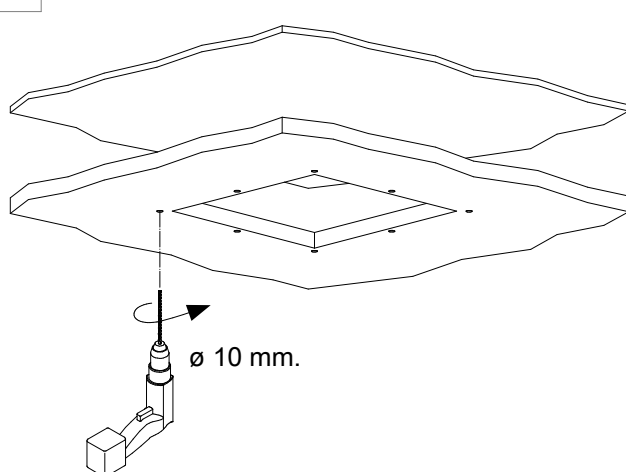
1



2



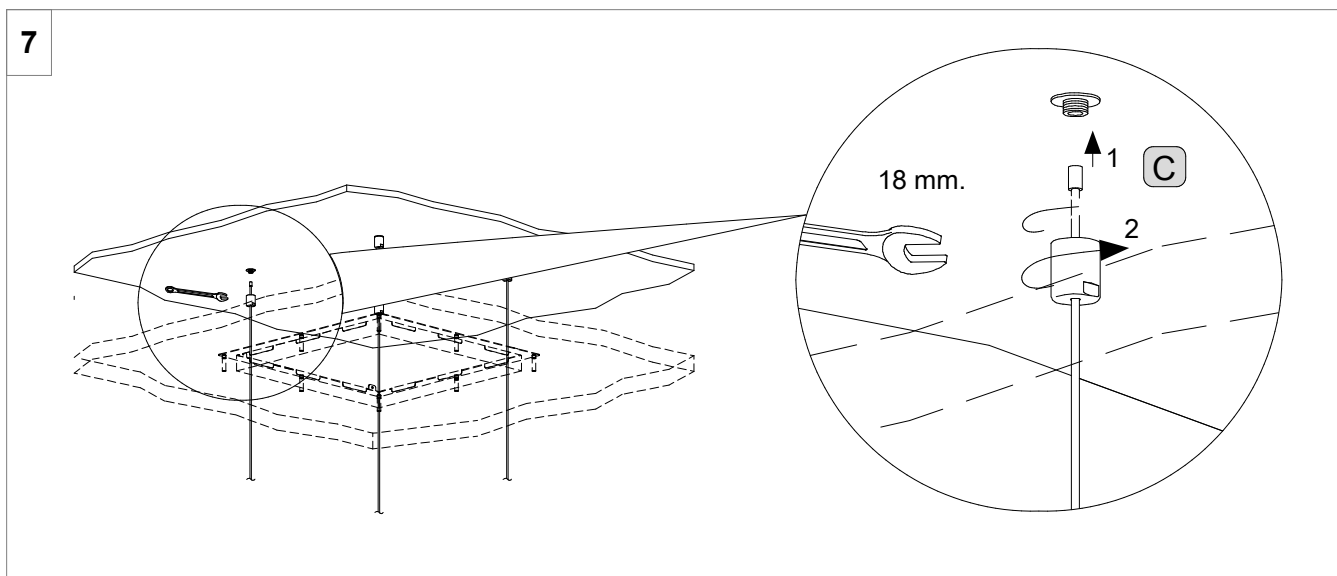
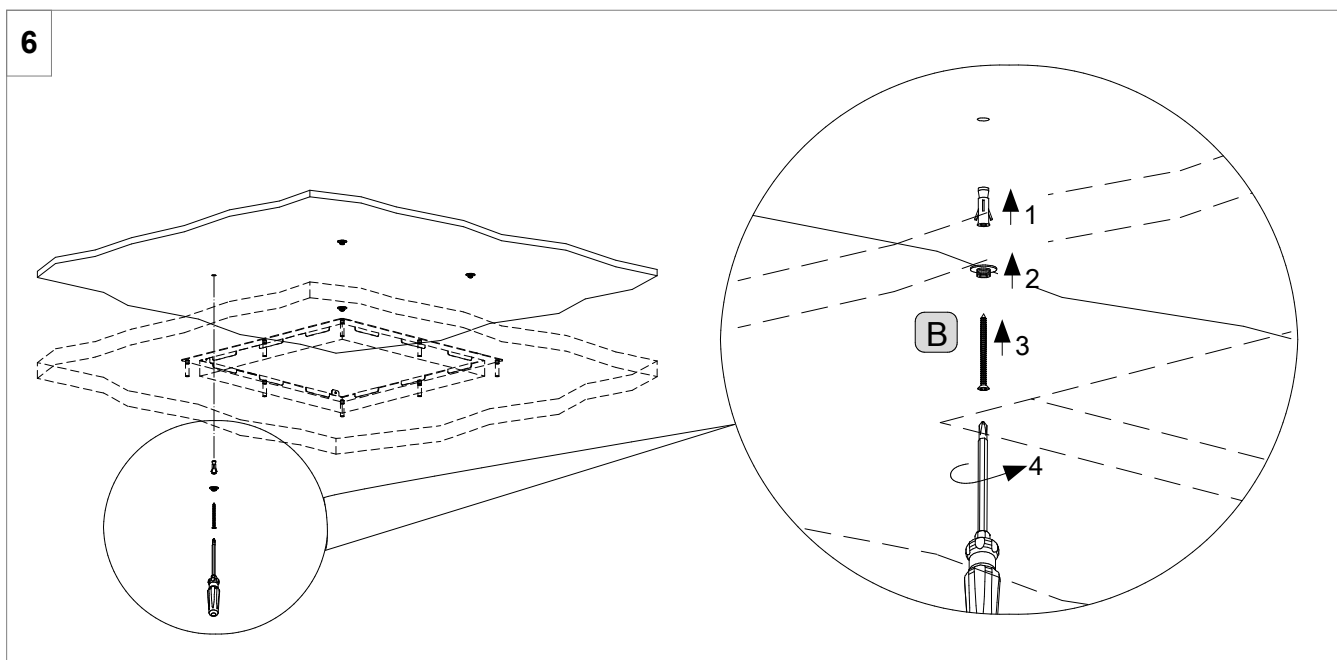
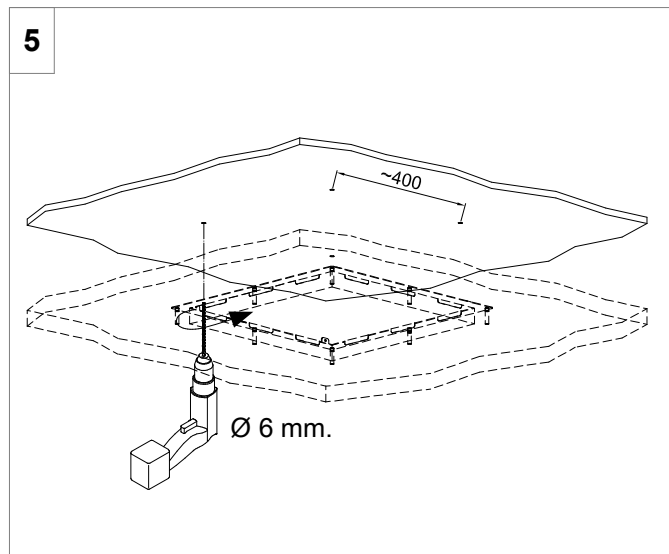
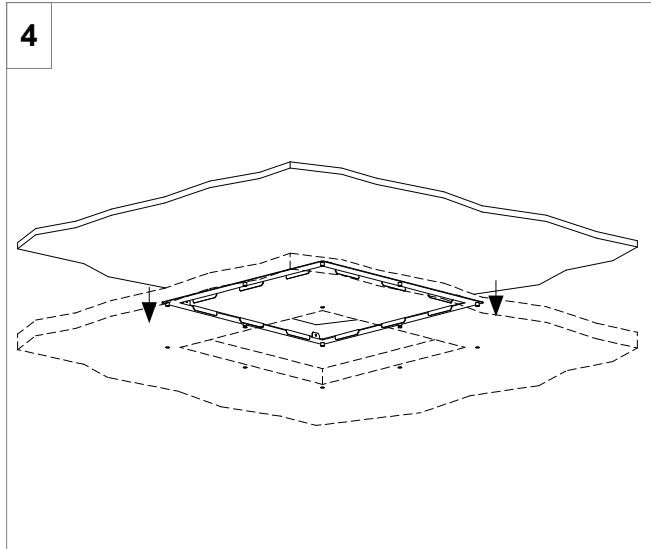
3



Infinity MRC-850/540

Built-In Shower Head

MONTAGE

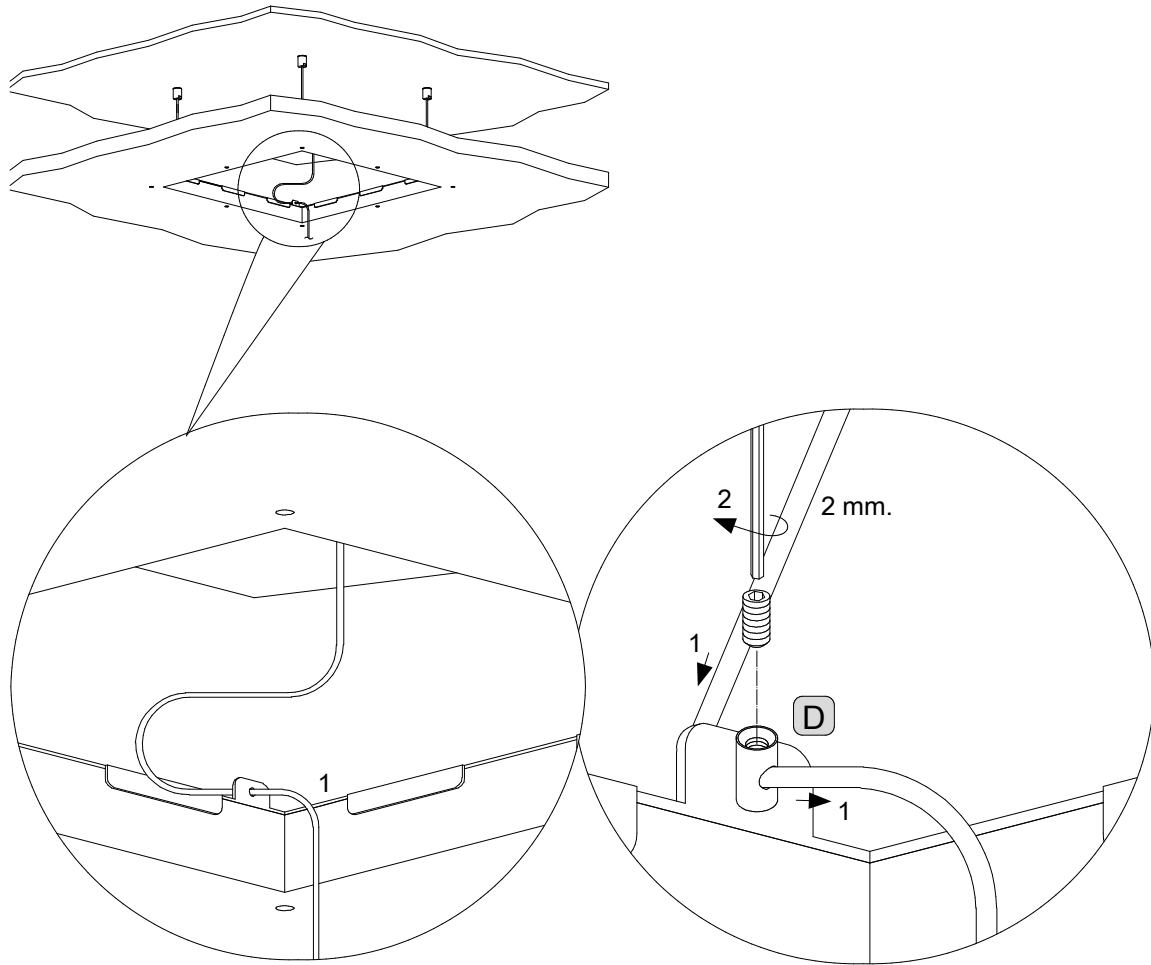


Infinity MRC-850/540

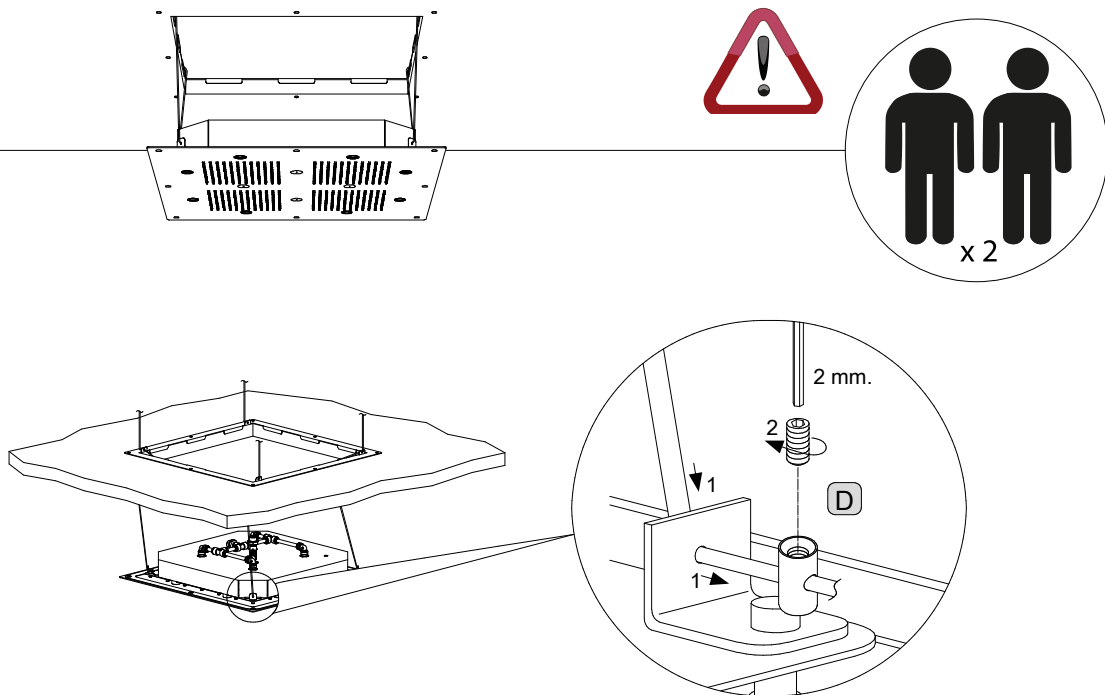
Built-In Shower Head

MONTAGE

8



9



Infinity MRC-850/540

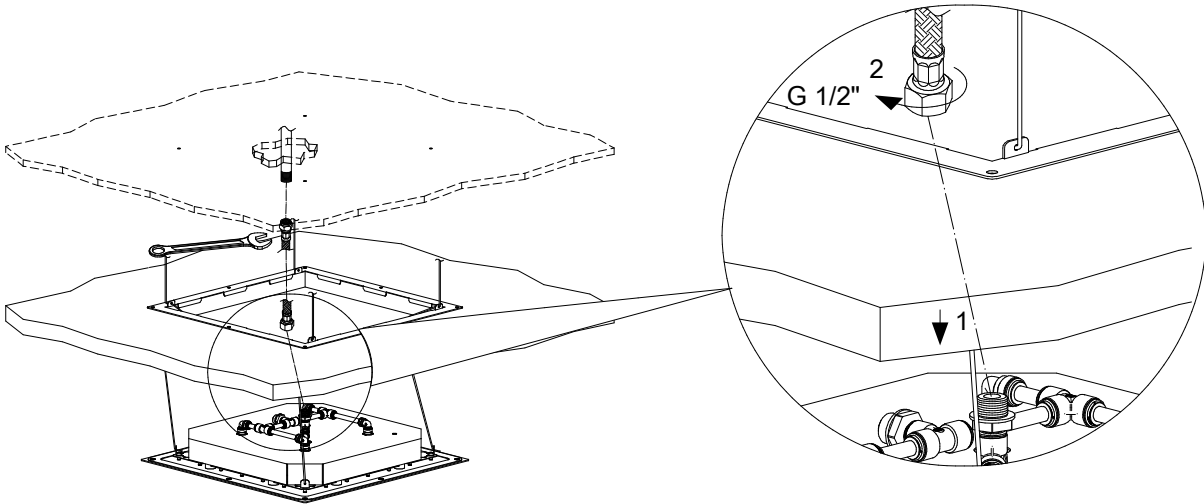
Built-In Shower Head

MONTAGE

10



Make the connection to the hydraulic/electrical system according to the type showerhead.

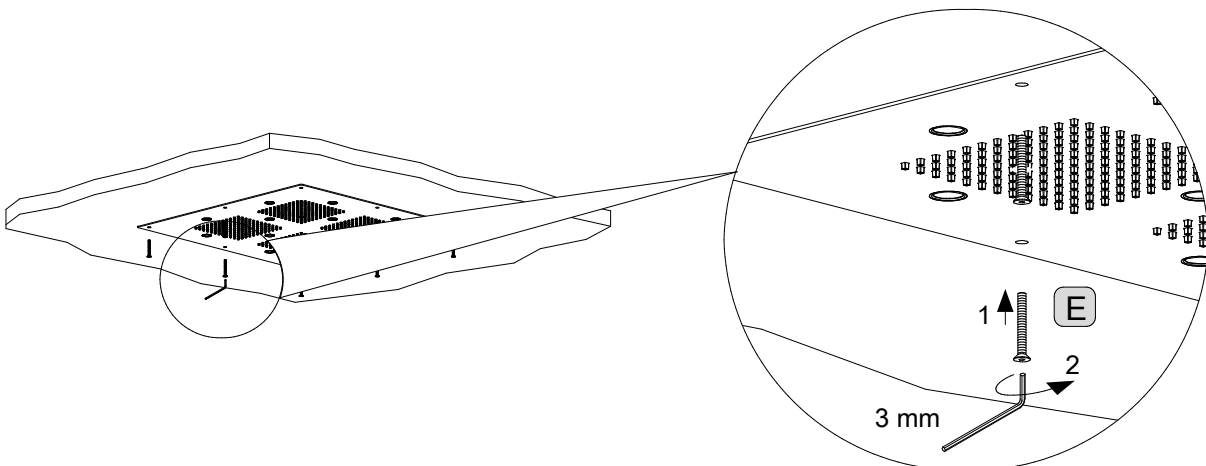


11



Install the keyboard, if applicable, following the instructions on page. 11, otherwise continue with the next figure "M"

Install the showerhead to the false ceiling and tighten the screw as shown in the figure M, be carrefully, not schrath the surface.

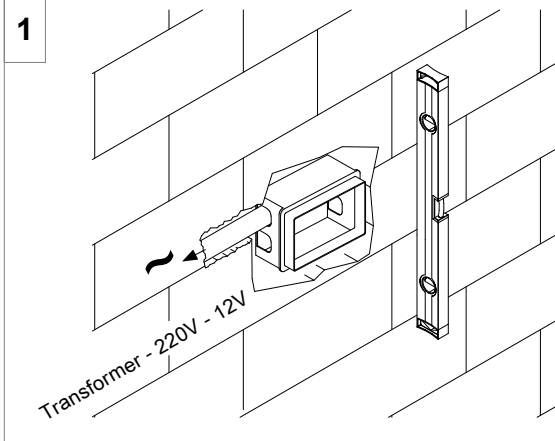


Infinity MRC-850/540

Built-In Shower Head

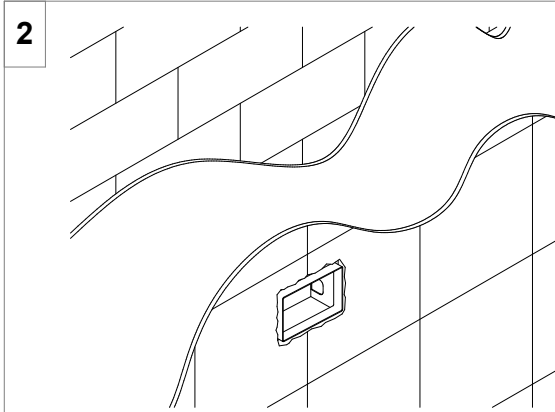
MONTAGE

1



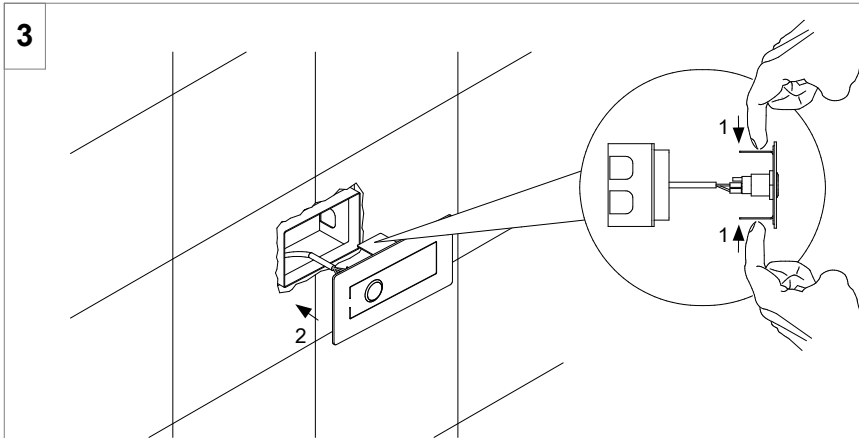
Insert the supplied junction box in the wall with the help of a level and position it properly

2



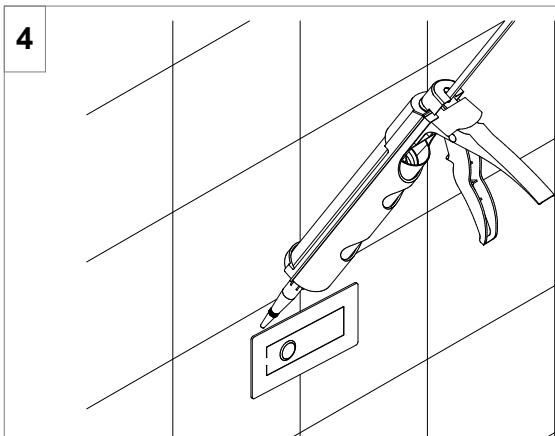
Apply the plate and make sure the junction box is alined with the plate (Fig. 2-1) or at a maximum of 15 mm. (Fig. 2-2)

3



Connect the LED button cable (5 mt.)
To the corresponding cable present in
the " F " transformer installed in zone 3

4

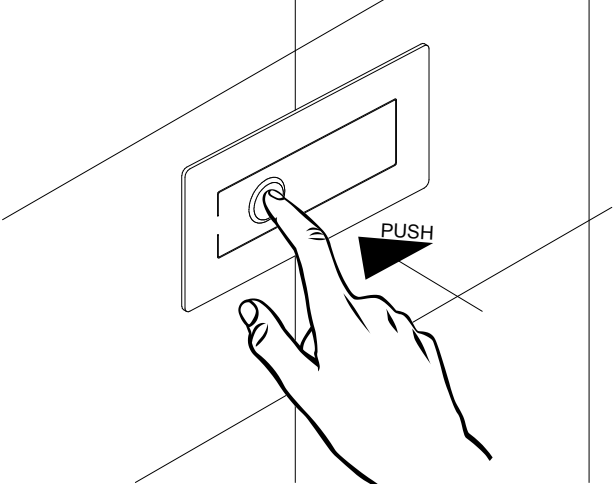



After finishing the installation of the electric keypad inside the shower head, fix the latter by following the sequence "M" on p. 10.

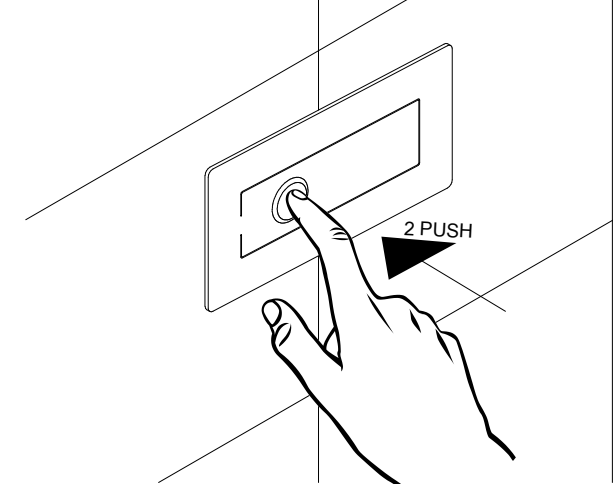
Infinity MRC-850/540


Built-In Shower Head

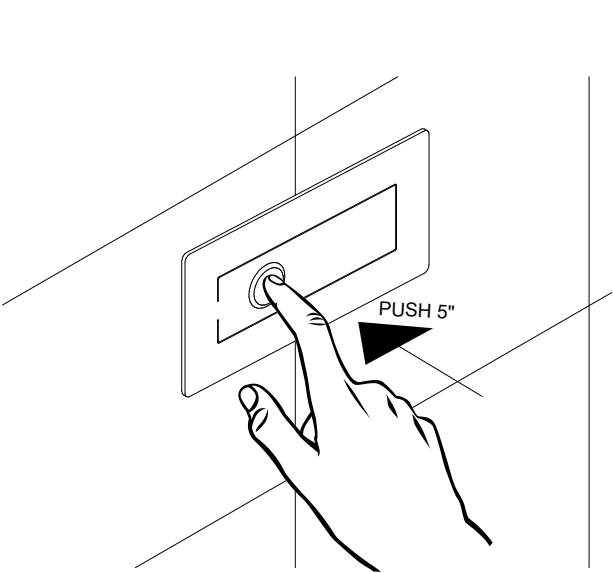
FUNCTIONS




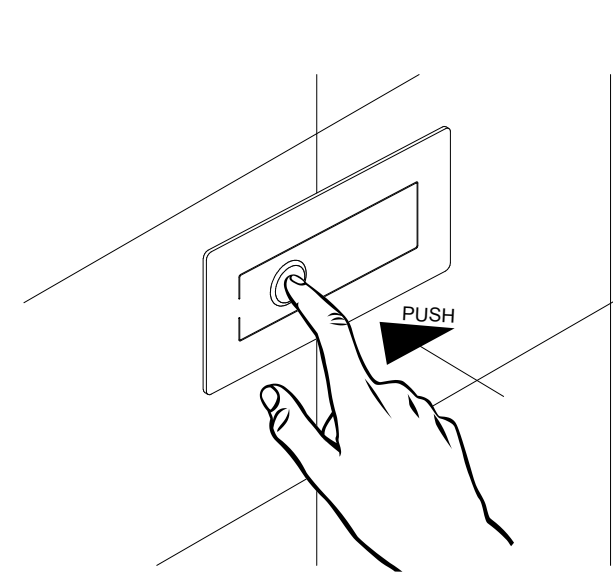
Push 	function
1	on colour green

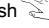


Push 	function
1+1	colour light blu
1+1	colour blu
1+1	colour violet
1+1	colour red
1+1	colour yellow
1+1	colour orange



Push 	function
1 - 5"	automatic loop colors

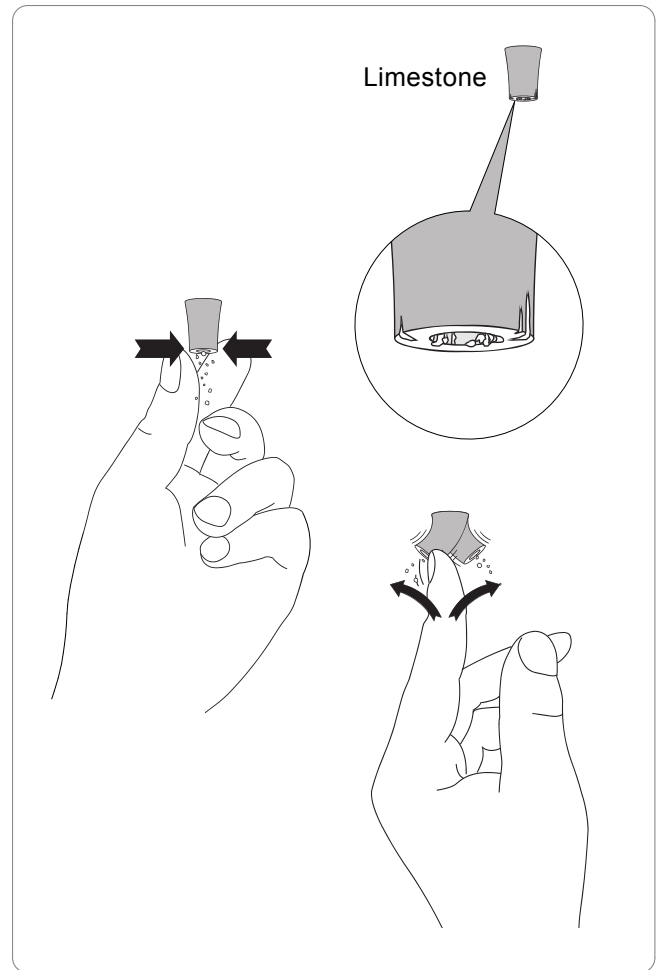
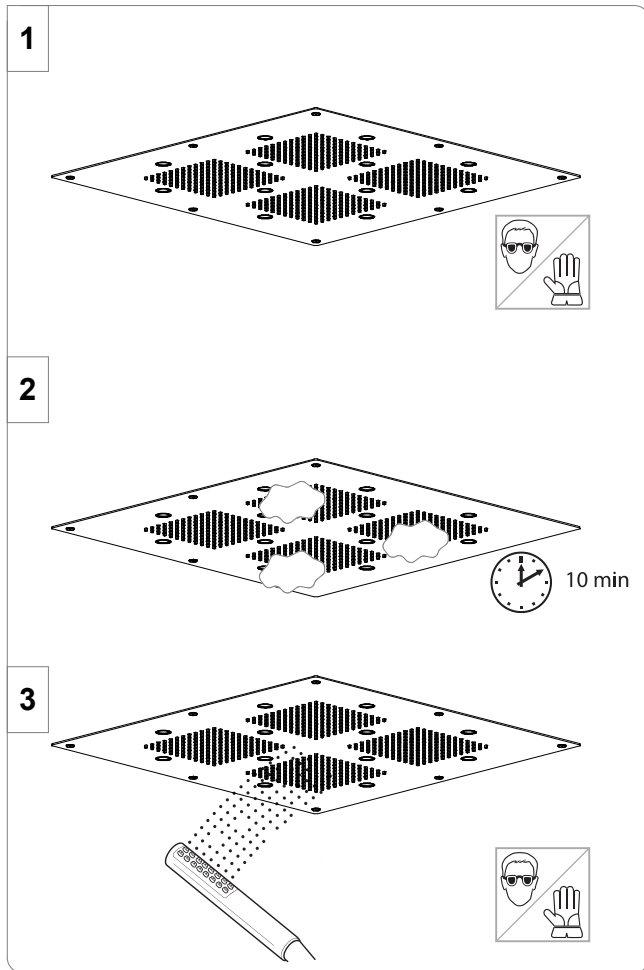


Push 	function
1	OFF light

Infinity MRC-850/540

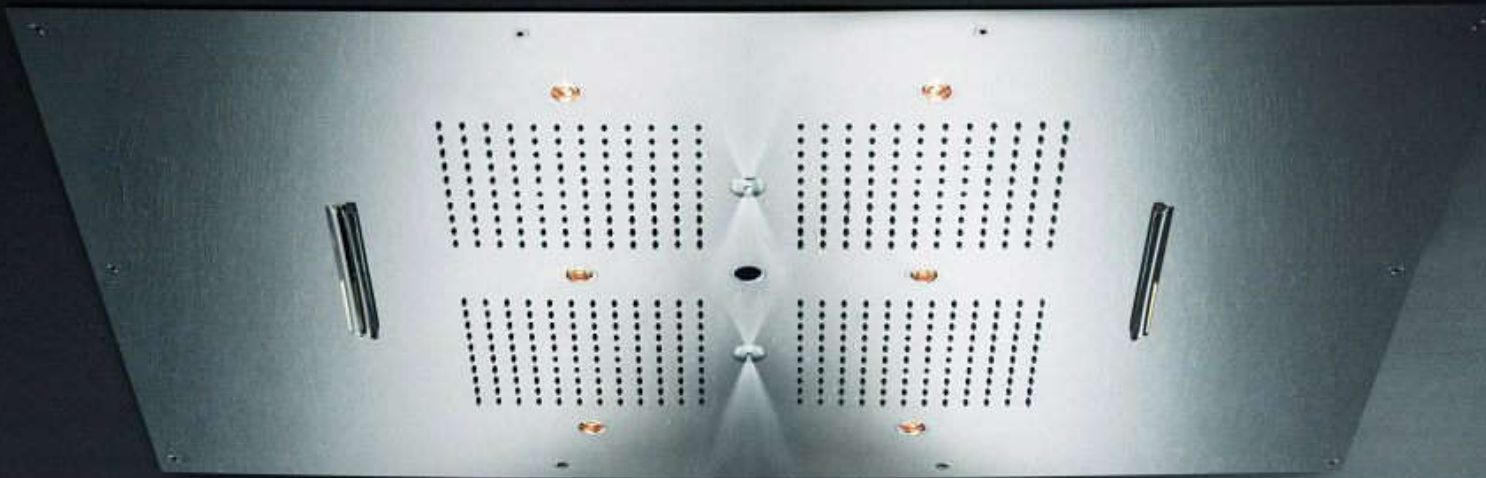
Built-In Shower Head

CLEANING TIPS



Periodically clean the nozzles to remove any lime scale as shown in Illustration.

In order to maintain the quality of AQUATICA products, surfaces must be cleaned exclusively using soapy water and dried with a soft cloth. Never use detergents, powders or creams containing alcohol, acid, bleach, solvents, chemical agents, metal or abrasive sponges, etc. Water contains limestone in variable quantity, which can remain on the surfaces leaving spots and forming deposits. In order to avoid limestone deposits clean and dry the product immediately after use. It is possible to prevent limestone deposits on nozzles by regularly rubbing with a damp cloth.



Disposal of electrical and electronic equipment (RAEE) within the European Union

This symbol appears on the product or on the package to indicate that the product is subject to differential disposal requirements.

Users must dispose of waste equipment bringing them to the collection point as appropriately indicated for the recycling of electrical and electronic equipment.

Differential collection and recycling of waste equipment favour natural resources preservation and guarantee that such equipment is disposed of preserving the environment and health.

For further information on the waste collection points, please contact the manufacturer and/or reseller where you bought the device from.

